

JUNIO 240 RING-JOINT GASKETS

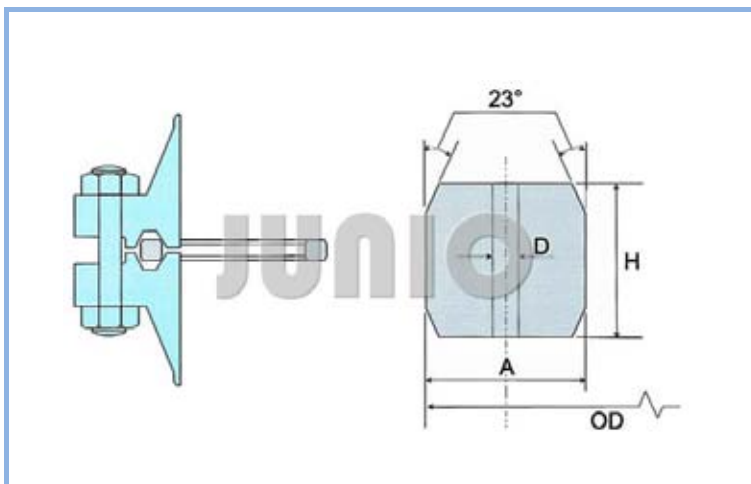
TYPE BX

The Type BX energized Ring Type Joints, manufactured in accordance with API 6A, are designed for use on pressurized systems up to 20,000 psi.

When correctly fitted, the style BX gasket allows virtual face to face contact of the flange faces which means that the gasket is fully trapped on both the inner and outer diameters.

All BX gaskets incorporate a pressure balance hole to ensure equalization of pressure which may be trapped in the grooves.

Designs are also available for Subsea applications.



NOTE :

Radius of the ring shall be 8% to 12% of the ring height ' H '

TOLERANCE : (MM)

A*(width of ring)	+0.20, -0.00
D(hole size)	+0.5
H*(height of ring)	±0.20,-0.00
OD(od of ring)	+0.00,-0.13
23°(angle)	±0.25°

One pressure passage hole required per ring on center line *A plus tolerance of 0.2 mm for width ' A ' and height ' H ' is permitted, provided the variation in width or height does not exceed 0.1 mm throughout its entire circumference

JUNIOSEAL

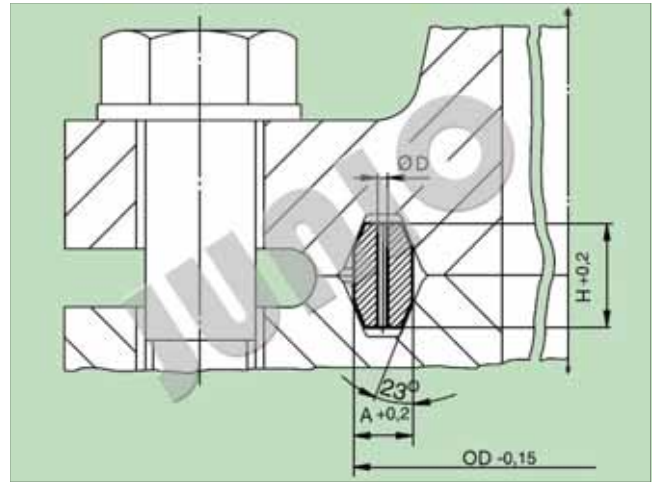
All data quoted are based on our extensive tests and years of experience, however, they can only serve as guide values.

Failure to select proper sealing products could result in property damage and serious injury.

Specifications are subject to change without notice. WWW.JUNIOSEAL.COM Email us now: junio@junioseal.com

JUNIO 240 Ring-Joint Gaskets, Type BX

Ring-joint gasket, type BX, dimensions according to API Std 6 A for API 6BX flanges



Dimensions in mm						
NPS	class	Ring no.	Ring dimensions			*Drilled hole D
			OD	A	H	
1 11/16	10000, 15000	BX 150	72,19	9,30	9,30	1,5
1 13/16	10000, 15000, 20000	BX 151	76,40	9,63	9,63	1,5
2 11/16	10000, 15000, 20000	BX 152	84,68	10,24	10,24	1,5
2 9/16	10000, 15000, 20000	BX 153	100,94	11,38	11,38	1,5
3 1/16	10000, 15000, 20000	BX 154	116,84	12,40	12,40	1,5
4 1/16	10000, 15000, 20000	BX 155	147,96	14,22	14,22	1,5
7 1/16	10000, 15000, 20000	BX 156	237,92	18,62	18,62	3,0
9	10000, 15000	BX 157	294,46	20,98	20,98	3,0
11	10000, 15000	BX 158	352,04	23,14	23,14	3,0
13 5/8	10000	BX 159	426,72	25,70	25,70	3,0
13 5/8	5000	BX 160	402,59	13,74	23,83	3,0
16 3/4	5000, 10000	BX 161	491,41	16,21	28,07	3,0
16 3/4		BX 162	475,49	14,22	14,22	1,5
18 3/4	5000	BX 163	556,16	17,37	30,10	3,0
18 3/4	10000	BX 164	570,56	24,59	30,10	3,0
21 1/4	5000,	BX 165	624,71	18,49	32,03	3,0
21 1/4	10000	BX 166	640,03	26,14	32,03	3,0
26 3/4	2000	BX 167	759,36	13,11	35,86	1,5
26 3/4	3000	BX 168	765,25	16,05	35,86	1,5
5 1/8	10000	BX 169	173,51	12,93	15,84	1,5
9	2000, 3000	BX 170	218,03	14,22	14,22	1,5
11		BX 171	267,44	14,22	14,22	1,5
13 5/8		BX 172	333,07	14,22	14,22	1,5
30		BX 303	852,75	16,97	37,95	1,5

* A compensating drilled hole on the periphery of the ring.

JUNIOSEAL